

## ACTUATOR AIRTORQUE – assembly options

### 1A

#### BASE SET

43020-050-P05-21S

44050 ACTUATOR (S-R)

43900 SUPPORTER

43940 CONNECTION PIECE

43020 VALVE



### 2A

#### SET WITH SOLENOID

43020-050-P05-21S-S24DC / S24AC / S220

44050 ACTUATOR(S-R)

43900 SUPPORTER

43940 CONNECTION PIECE

43020 VALVE

44430 FITTING G 1/4"

44420 SILENCER 2x G 1/4"

44300 SOLENOID 24VDC/24VAC/220V



### 3A

#### SET WITH SOLENOID AND SENSOR HOLDERS

TYPE A10

43020-050-P05-21S-A10-S24DC / S24AC / S220

44050 ACTUATOR (S-R)

43900 SUPPORTER

43940 CONNECTION PIECE

43020 VALVE

44430 FITTING G 1/4"

44420 SILENCER 2x G 1/4"

44300 SOLENOID 24VDC/24VAC/220V

44370A INDUCTION SENSOR SUPPORTER



## 4A

### SET WITH SOLENOID AND ONE SENSOR

TYPE A11

43020-050-P05-21S-A11-S24DC / S24AC / S220

44050 ACTUATOR (S-R)

43900 SUPPORTER

43940 CONNECTION PIECE

43020 VALVE

44430 FITTING G 1/4"

44420 SILENCER 2x G 1/4"

44300 SOLENOID 24VDC/24VAC/220V

44360 INDUCTION SENSOR

44370A INDUCTION SENSOR SUPPORTER



## 5A

### SET WITH SOLENOID AND TWO SENSORS

TYPE A12

43020-050-P05-21S-A12-S24DC / S24AC / S220

44050 ACTUATOR (S-R)

43900 SUPPORTER

43940 CONNECTION PIECE

43020 VALVE

44430 FITTING G 1/4"

44420 SILENCER 2x G 1/4"

44300 SOLENOID 24VDC/24VAC/220V

44360 INDUCTION SENSOR (2Pcs)

44370 INDUCTION SENSOR SUPPORTER (2Pcs)



## 6A

**SET WITH SOLENOID AND POSITION SENSOR**  
TYPE

43020-050-P05-21S-A2-S24DC / S24AC / S220

44050 ACTUATOR(S-R)

43900 SUPPORTER

43940 CONNECTION PIECE

43020 VALVE

44430 FITTING G 1/4"

44420 SILENCER 2x G 1/4"

44300 SOLENOID 24VDC/24VAC/220V

44450 POSITION SENSOR



A2

**7A**

**SET WITH SOLENOID AND TWO-POSITION SENSOR**

TYPE A3

43020-050-P05-21S-A3-S24DC / S24AC / S220

44050 ACTUATOR (S-R)

43900 SUPPORTER

43940 CONNECTING PIECE

43020 VALVE

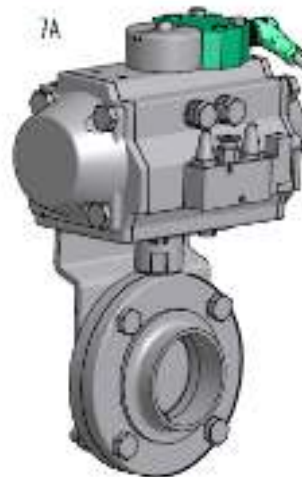
44430 FITTING G 1/4"

44420 SILENCER 2x G 1/4"

44300 SOLENOID 24VDC/24VAC/220V

44530 DOUBLE INDUCTION SENSOR

44540 CONNECTOR + WIRE 2m



**ACTUATOR VERTICAL STAINLESS TYPE "C" – CONNECTION VARIANTS**

### 1C

#### BASE SET

43020-050-P20C-21S

44200 C ACTUATOR (S-R)

43020 VALVE

44430 FITTING



### 2C

#### SET WITH SOLENOID

43020-050-P20C-21S-S24DC / S24AC / S220

44200 C ACTUATOR (S-R)

43020 VALVE

44430 FITTING G 1/8"

44270 SOLENOID 24VDC/24VAC/220V

44500 OUTER NIPPLE



### 3C

#### SET WITH SOLENOID AND SINGLE SENSOR

TYPE N21

43020-050-P20C-21S-N21-S24DC / S24AC / S220

44200 C ACTUATOR (S-R)

43020 VALVE

44430 FITTING G 1/8"

44270 SOLENOID 24VDC/24VAC/220V

44500 OUTER NIPPLE

44360 INDUCTION SENSOR



**4C**

**SET WITH SOLENOID AND TWO**

TYPE N22

43020-050-P20C-21S-N22-S24DC / S24AC / S220

44200 C ACTUATOR (S-R)

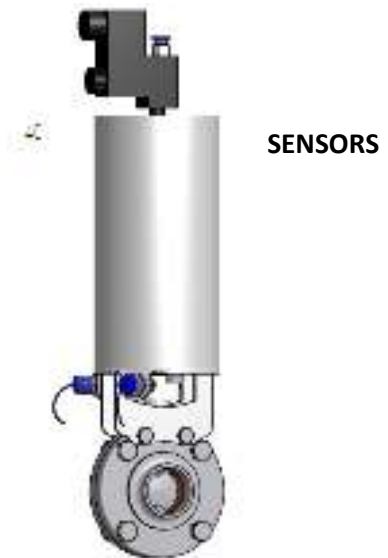
43020 VALVE

44430 FITTING G 1/8"

44270 SOLENOID 24VDC/24VAC/220V

44500 OUTER NIPPLE

44360 INDUCTION SENSOR



**5C**

**SET WITH EXTENSIONAL ROD**

43020-050-P21C-21S

44210 C ACTUATOR (S-R)

43020 VALVE



**6C**

**SET WITH CONTROL BOX 44700 C**

43020-050-P21C-70C-21S

44210 C ACTUATOR (S-R)

44700 C CONTROL BOX

43020 VALVE



## 7C

### SET WITH CONTROL BOX 44710 C

43020-050-P21C-71C-21S

442101 C ACTUATOR (S-R)

44710 C CONTROL BOX

43020 VALVE



## ACTUATOR VERTICAL STAINLESS TYPE "D" - VARIANTY ZAPOJENÍ

### 1D

#### BASE SET

43020-050-P20D-21S

44200 D ACTUATOR (S-R)

43900 SUPPORTER

43020 VALVE

44430 FITTING G 1/8"



### 2D

#### SET WITH SOLENOID

43020-050-P20D-21S-S24DC / S24AC / S220

44200 D ACTUATOR (S-R)

43900 SUPPORTER

43020 VALVE

44430 FITTING G 1/8"

44270 SOLENOID 24VDC/24VAC/220V

44500 OUTER NIPPLE



### 3D

TYPE N10

43020-050-P20D-21S-N10-S24DC / S24AC / S220

44200 D ACTUATOR (S-R)

43900 SUPPORTER

44230 POSITION INDICATOR SUPPORTER

43020 VALVE

44430 FITTING G 1/8"

44270 SOLENOID 24VDC/24VAC/220V

44500 OUTER NIPPLE

44220 INDICATOR CONTACT



### 4D

TYPE N11

43020-050-P20D-21S-N11-S24DC / S24AC / S220

44200 D ACTUATOR (S-R)

43900 SUPPORTER

44230 POSITION INDICATOR SUPPORT

43020 VALVE

44430 FITTING G 1/8"

44270 SOLENOID 24VDC/24VAC/220V

44500 OUTER NIPPLE

44360 INDUCTION SENSOR

44230 VERTICAL POSITION INDICATOR SUPPORTER

44220 INDICATOR CONTACT



## 5D

TYPE N12

43020-050-P20D-21S-N12-S24DC / S24AC / S220

44200 D ACTUATOR (S-R)

43900 SUPPORTER

44230 VERTICAL POSITION INDICATOR SUPPORTER

43020 VALVE

44430 FITTING G 1/8"

44270 SOLENOID 24VDC/24VAC/220V

44500 OUTER NIPPLE

44360 INDUCTION SENSOR

44220 INDICATOR CONTACT

44230 VERTICAL POSITION INDICATOR SUPPORTER



## 6D

**SET WITH SOLENOID AND SENSOR SUPPORTER**

TYPE N20

43020-050-P20D-21S-N20-S24DC / S24AC / S220

44200 D ACTUATOR (S-R)

43900 SUPPORTER

43020 VALVE

44430 FITTING G 1/8"

44270 SOLENOID 24VDC/24VAC/220V

44370B INDUCTION SENSOR SUPPORTER

44500 OUTER NIPPLE

44520 INDICATION ACTIVATOR



## 7D

**SET WITH SOLENOID AND SINGLE SENSOR**

TYPE N21

43020-050-P20D-21S-N21-S24DC / S24AC / S220

44200 D ACTUATOR (S-R)

43900 SUPPORTER

43020 VALVE

44430 FITTING G 1/8"

44270 SOLENOID 24VDC/24VAC/220V

44500 OUTER NIPPLE

44360 INDUCTION SENSOR

44370B INDUCTION SENSOR SUPPORTER

44520 INDICATION ACTIVATOR



## 8D

### SET WITH SOLENOID AND TWO SENSORS

TYPE N22

43020-050-P20D-21S-N22-S24DC / S24AC / S220

44200 D ACTUATOR (S-R)

4390 SUPPORTER

4302 VALVE

4443 FITTING G 1/8"

44270 SOLENOID 24VDC/24VAC/220V

44500 OUTER NIPPLE

44360 INDUCTION SENSOR (2Pcs)

44370B INDUCTION SENSOR SUPPORTER

44520 INDICATION ACTIVATOR



## 9D

### SET WITH SOLENOID AND TWO-POSITION

TYPE N3

43020-050-P20D-21S-N3-S24DC / S24AC / S220

44200 D ACTUATOR (S-R)

43900 SUPPORTER

44510 POSITION INDICATOR SUPPORTER

43020 VALVE

44430 FITTING G1/8"

44270 SOLENOID 24VDC/24VAC/220V

44500 OUTER NIPPLE

44530 DOUBLE INDUCTION SENSOR

44540 CONECTOR + WIRE 2m

44520 INDICATION ACTIVATOR



SENSOR