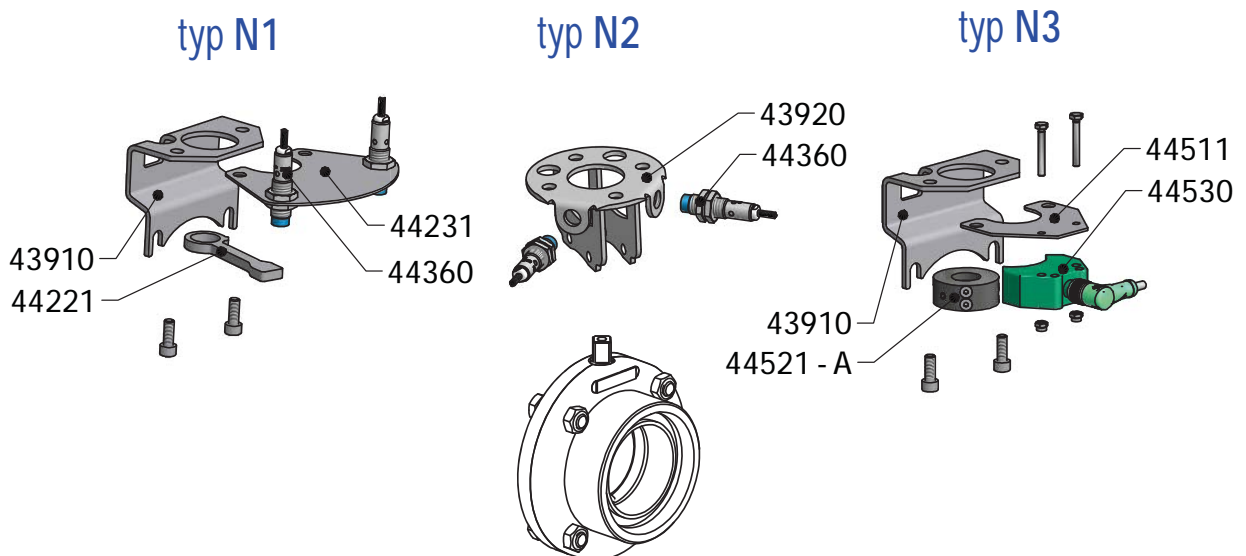
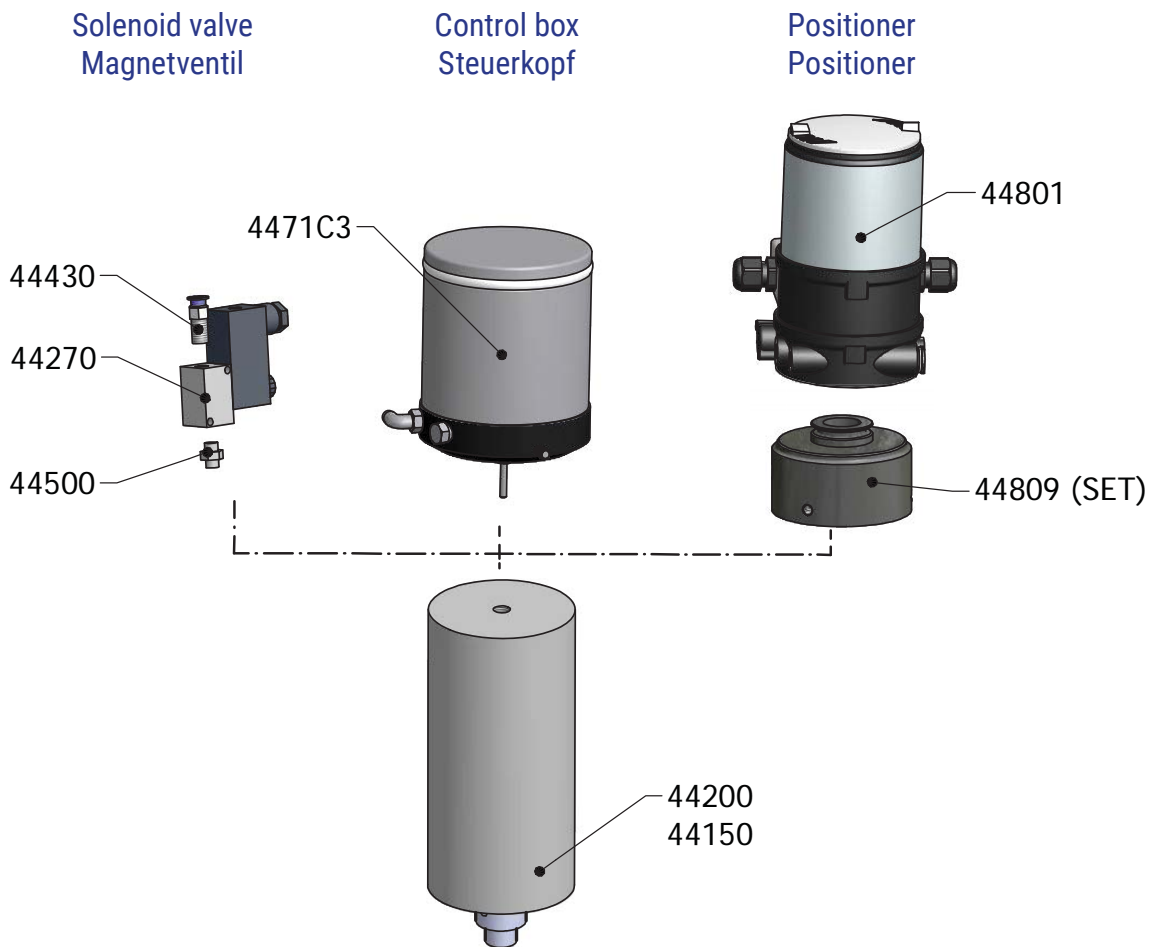


**Butterfly valve with pneumatic actuator 44200 (44150) - variants signaling and control**

**Scheibenventil mit pneumatischantriebe 44200 (44150) - varianten signalisierung und kontrolle**



**Butterfly valve with pneumatic actuator Air Torque - variants signaling and control**

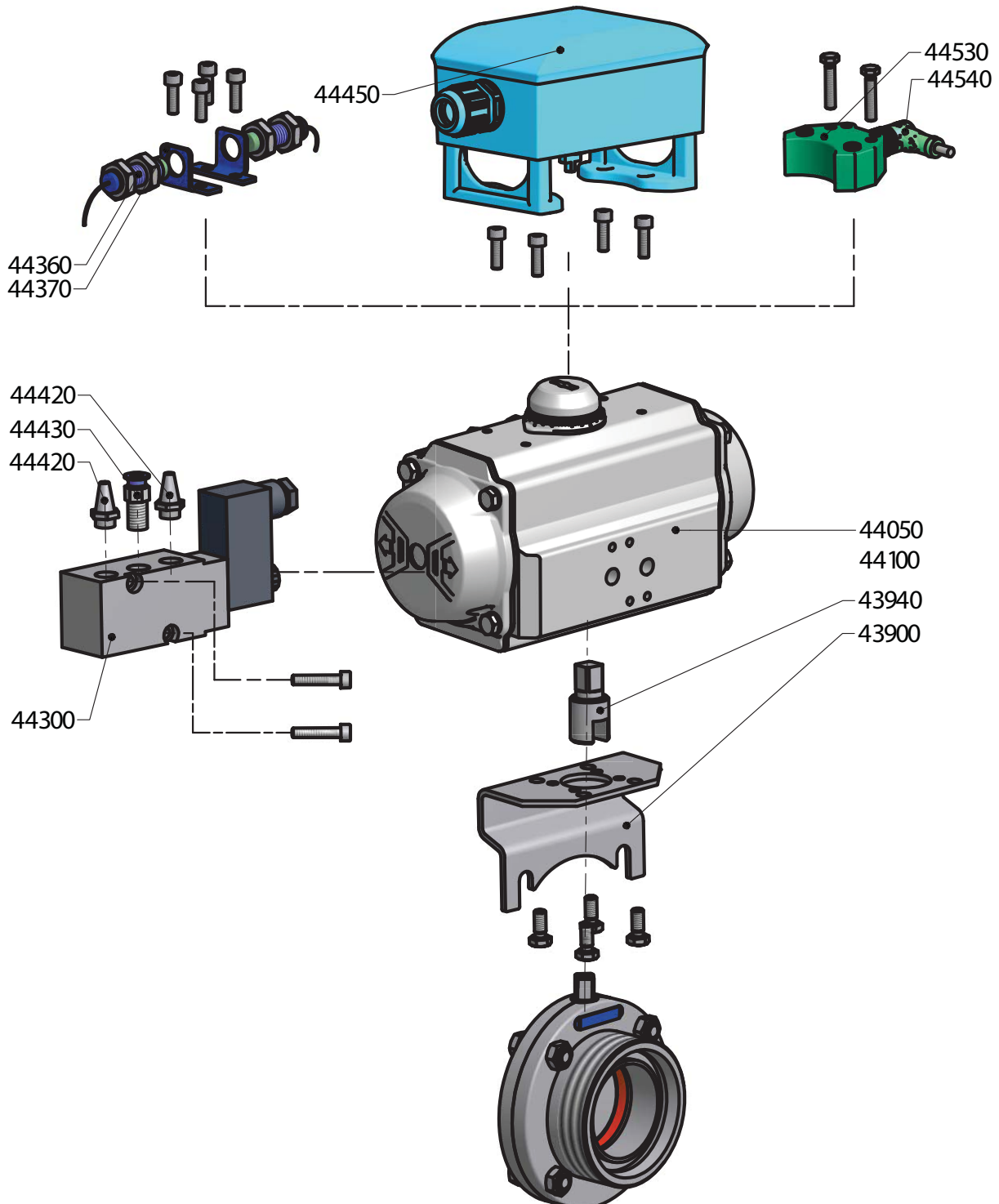
**Scheibenventil mit pneumatischeantriebe Air Torque - varianten signalisierung und kontrolle**

Position detection – Positionserfassungs

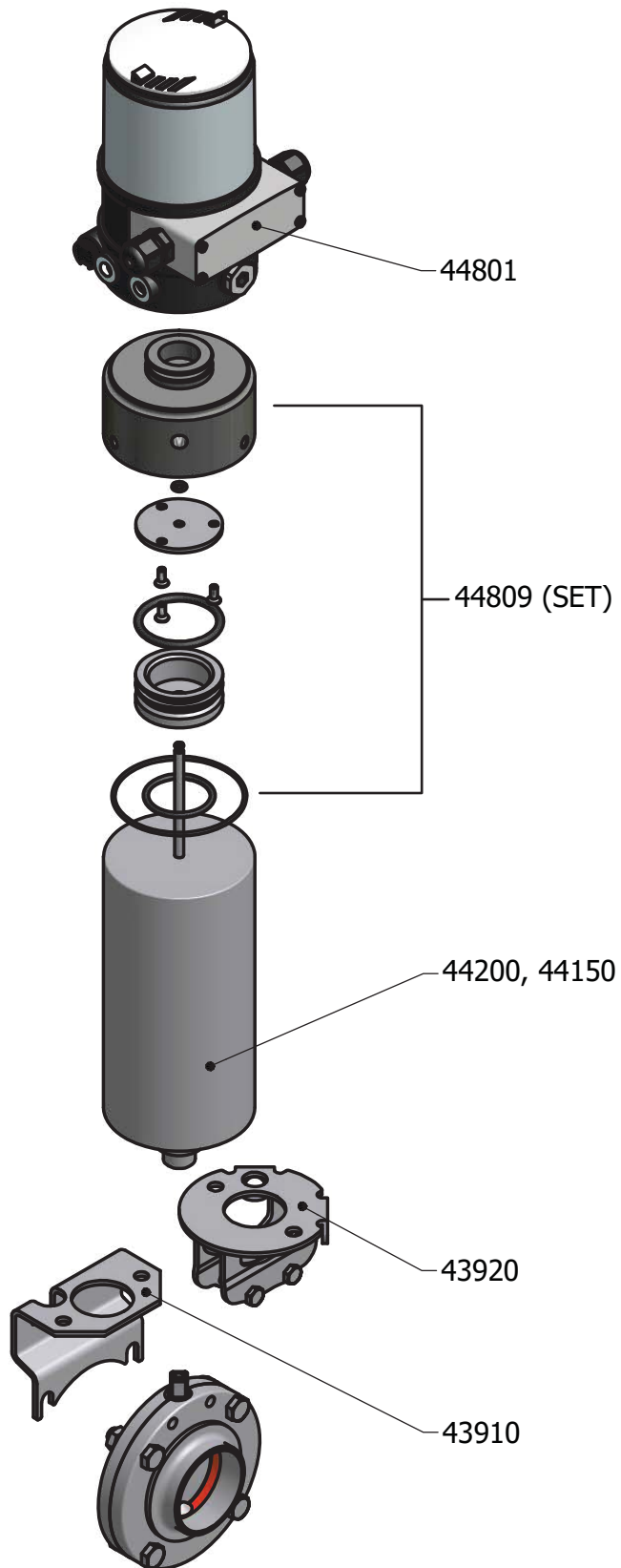
Type A1

Type A2

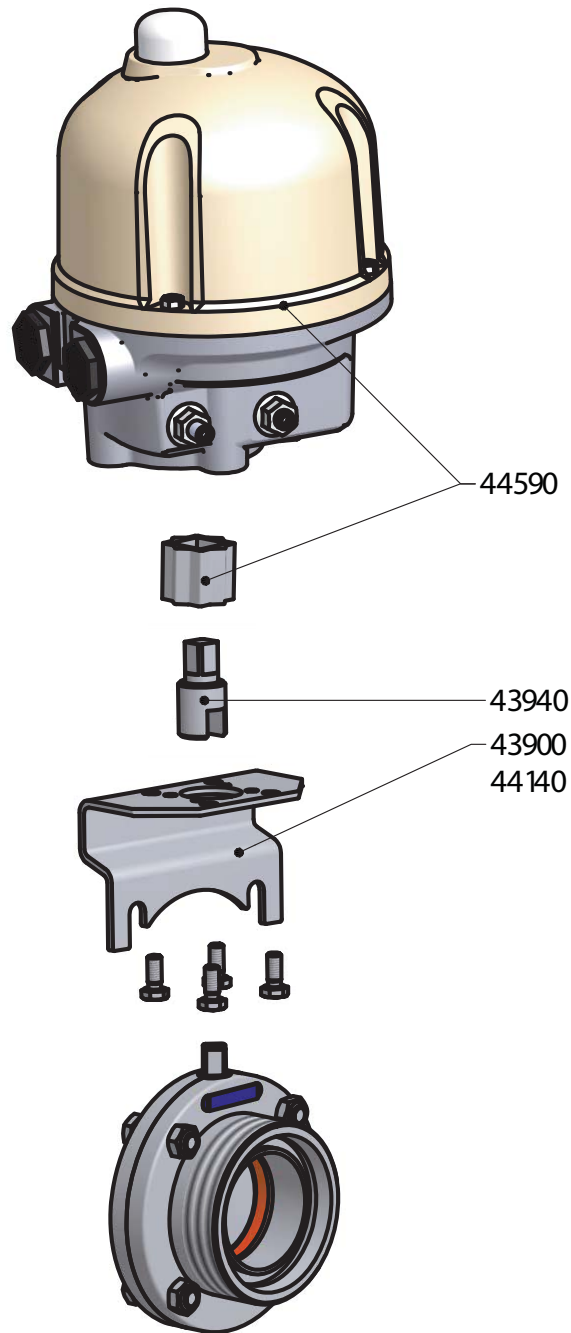
Type A3



**Flap and pneumatic actuator assembly with control head**  
**Klappe und pneumatischer Antrieb mit Steuerkopf**



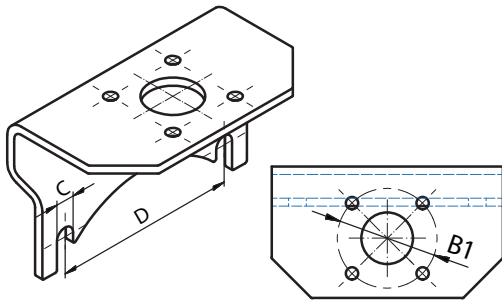
**Butterfly valve with electric drive**  
**Scheibenventil mit Elektroantrieb**



Bracket of pneumatic actuator  
Haltekonsole universal

**43900**

**Dimensions • Baumaße**

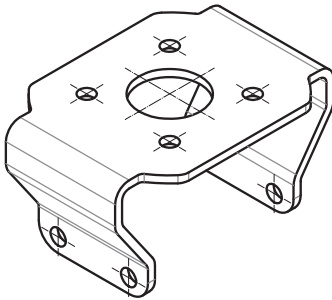


DN	B	B1	C	D		R	Rd x s	kg
15	F04		7	47				
20	F04		7	47				
25	F03,F04	F04,F05	9	51,6				
32	F03,F04	F04,F05	9	55,2				
40	F04,F05		9	58,4				
50	F05		9	67,6				
65	F05		9	79,6				
80	F05		9	90,2				
100	F05		9	104,3				
125	F07		9	90				
150	F07		9	105				

Bracket of pneumatic acuator for 43081  
Haltekonsole für 43081

**43906**

**Dimensions • Baumaße**

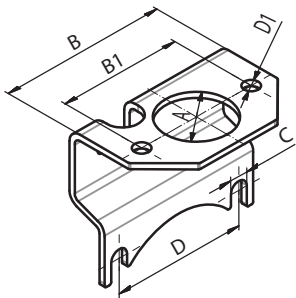


DN	A	B	C	D	E	G	R	L	Rd x s	kg
25-32	F05									
40	F05									
50-65	F05									
80-100	F05-F07									

Bracket of pneumatic actuator Type D  
Haltekonsole universal Typ D

**43910**

**Dimensions • Baumaße**

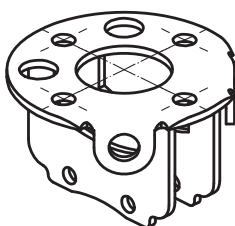


DN	A	B	B1	C	D	D1	R	L	Rd x s	kg
25	35	78	62	9	51,6	8,2				
32	35	82	62	9	55,2	8,2				
40	35	86	62	9	58,4	8,2				
50	35	84	62	9	67,6	8,2				
65	35	106	62	9	79,6	8,2				
80	35	116	62	9	90,2	8,2				
100	35	131	62	9	104,3	8,2				
125	35	120	62	11	90	10,2				

Bracket of pneumatic actuator Type C  
Haltekonsole universal Typ C

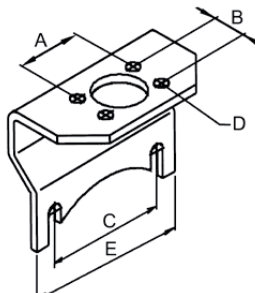
**43920**

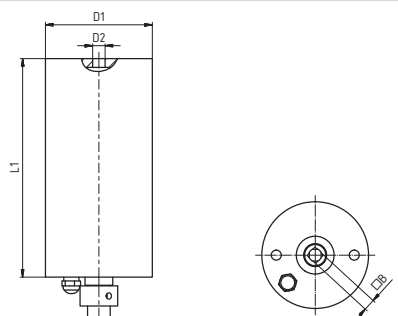
**Dimensions • Baumaße**

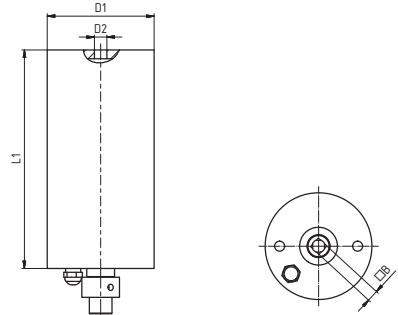


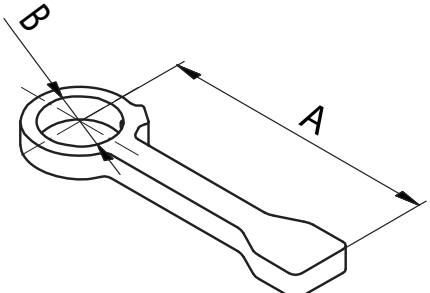
DN	A	B	C	D	E	G	R	L	Rd x s	kg
25 - 65										
80 - 100										



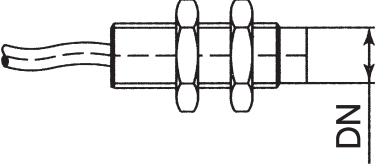
Bracket of pneumatic actuator Haltekonsole	<b>44140</b>	<b>Dimensions • Baumaße</b>									
		DN	A	B	C	D	E	F	G	R	Rd x s
	<b>25</b>	30,3	17,6	51,6	6	78					0,2
	<b>32</b>	30,3	17,6	55,2	6	82					0,3
	<b>40</b>	30,3	17,6	58,4	6	86					0,3

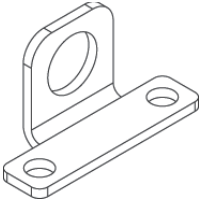
Pneumatic actuator D-A Pneumatischer Antrieb L-L	<b>44150</b>	<b>Dimensions • Baumaße</b>									
		TYP	A	B	D1	D2	L1	F	R	L	Mk (Nm)
	<b>85</b>		9,5	85	1/8"	174				30	3,5
	<b>101</b>		9,5	101	1/8"	185				42	4,1
	<b>120</b>		14	120	1/8"	185				70	6,5
		Working time (90°): 1,5 sec.		Maximum air pressure: 10 bar.							
		Working pressure (air): 5 - 6 bar		Working temperature: 10 - 140°C							

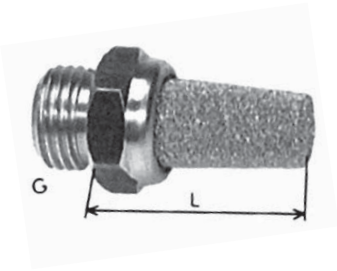
Pneumatic actuator S-R Pneumatischer Antrieb L-F	<b>44200</b>	<b>Dimensions • Baumaße</b>									
		TYP	A	B	D1	L2	L1	G	R	L	Mk (Nm)
	<b>85</b>		9,5	85	1/8"	174				30	3,8
	<b>101</b>		9,5	101	1/8"	185				42	4,5
	<b>120</b>		14	120	1/8"	185				70	6,5
		Working time (90°): 1,5 sec.		Maximum air pressure: 10 bar.							
		Working pressure (air): 5 - 6 bar		Working temperature: 10 - 140°C							


Signal contact arm Schaltfahne	<b>44221</b>	<b>Dimensions • Baumaße</b>									
		DN	A	B	D	E	F	G	R	L	Rd x s
	<b>25-100</b>	72	18,3								



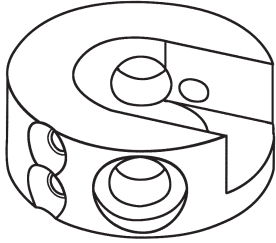


Proximity switch Näherungsinitiator	<b>44360</b>	<b>Dimensions • Baumaße</b>										
		<b>DN</b>	<b>A</b>	<b>B</b>	<b>C</b>	<b>D</b>	<b>E</b>	<b>L</b>	<b>R</b>	<b>Rd x s</b>	<b>kg</b>	
		<b>M8 x 1</b>										
		<b>M12 x 1</b>										

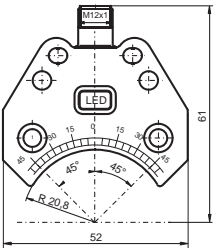
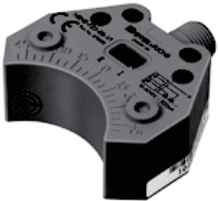
Support of proximity switch Halteblech für Näherungsinitiator	<b>44370</b>	<b>Dimensions • Baumaße</b>										
		<b>DN</b>	<b>A</b>	<b>B</b>	<b>D</b>	<b>D</b>	<b>E</b>	<b>G</b>	<b>R</b>	<b>L</b>	<b>Rd x s</b>	<b>kg</b>
												


Noise silencer Schalldämpfer	<b>44420</b>	<b>Dimensions • Baumaße</b>										
		<b>DN</b>	<b>G</b>	<b>L</b>	<b>C</b>	<b>D</b>	<b>E</b>	<b>F</b>	<b>R</b>	<b>L</b>	<b>Rd x s</b>	<b>kg</b>
		<b>G 1/8</b>	G 1/8"	21,5								
		<b>G 1/4</b>	G 1/4"	26,5								


Screw union Schraubung	<b>44430</b>	<b>Dimensions • Baumaße</b>										
		<b>DN</b>	<b>A</b>	<b>B</b>	<b>D</b>	<b>E</b>	<b>F</b>	<b>G</b>	<b>R</b>	<b>L</b>	<b>Rd x s</b>	<b>kg</b>
		<b>G 1/8 - 4</b>	G 1/8"	4								
		<b>G 1/8 - 6</b>	G 1/8"	6								
		<b>G 1/8 - 8</b>	G 1/8"	8								
		<b>G 1/8 - 10</b>	G 1/8"	10								
		<b>G 1/4 - 4</b>	G 1/4"	4								
		<b>G 1/4 - 6</b>	G 1/4"	6								
		<b>G 1/4 - 8</b>	G 1/4"	8								
		<b>G 1/4 - 10</b>	G 1/4"	10								
		<b>G 1/4 - 12</b>	G 1/4"	12								





Switch cams supported Schaltnocke	<b>44521</b>	<b>Dimensions • Baumaße</b>										
	DN	A	B	C	E	F	G	R	L	Rd x s	kg	
												
			44521 - A				for 44530					
			44521 - B				for 44360					


Dual sensor Doppel-Näherungsinitiator	<b>44530</b>	<b>Dimensions • Baumaße</b>										
	DN	A	B	C	E	F	G	R	L	Rd x s	kg	
 												
			<b>General specifications</b> Switching element function <b>PNG Dual NO</b> Rated operating distance <b>sn 3 mm</b> Installation <b>flush mountable</b> Output polarity <b>DC</b> Assured operating distance <b>sa 0 - 2,43 mm</b>				Operating current <b>IL 0 - 200 mA</b> Off-state current <b>Ir 0 - 0,5 mA</b> <b>typ. 0,1 µA at 25 °C</b> No-load supply current <b>IO ≤ 25 mA</b> Operating voltage display <b>LED, green</b> Indication of the switching state <b>LED, yellow</b>					
			<b>Nominal ratings</b> Operating voltage <b>UB 10 - 30 V DC</b> Switching frequency <b>f 0 - 500 Hz</b> Hysteresis <b>H typ. 5 %</b> Reverse polarity protected <b>all connections</b> Short-circuit protection <b>pulsing</b> Voltage drop <b>Ud ≤ 3 V</b>				<b>Ambient conditions</b> Ambient temperature <b>-25 ... 70 °C (-13 ... 158 °F)</b> Storage temperature <b>-40 ... 85 °C (-40 ... 185 °F)</b>					

Cable conector 90° Konnektor 90°	<b>44540</b>	<b>Dimensions • Baumaße</b>										
	DN	A	B	C	E	F	G	R	L	Rd x s	kg	
												
			<b>General specification</b> Number of poles 4 Construction type Socket, angled									
			<b>Electrical specification</b> Operating voltage max. 60 V DC Operating current max. 4 A Volume resistance < 5 mohm									
			<b>Ambient conditions</b> Ambient temperature -5 ... 70°C (268 ... 343 K) active -30 ... 80°C (243 ... 353 K) unmoved Degree of soiling 3									

Cable conector Konnektor	<b>44541</b>	<b>Dimensions • Baumaße</b>										
	DN	A	B	C	D	E	F	R	L	Rd x s	kg	
												
			<b>General specifications</b> Number of pins 4 Connection 1 female connector Construction type 1 straight Threading 1 M12 Connection 2 cable end									
			<b>Electrical specifications</b> Operating voltage U <sub>B</sub> max. 250 V AC/DC Operating current max. 4 A Volume resistance < 5 mΩ									
			<b>Ambient conditions</b> Ambient temperature Body: -40 ... 90 °C cable, fixed: -40 ... 80 °C cable, flexing: -25 ... 80 °C									
			Gollution Degree 3									

Electric drive Elektroantrieb	<b>44590</b>	<b>Dimensions • Baumaße</b>									
		<b>DN</b>	<b>A</b>	<b>B</b>	<b>C</b>	<b>D</b>	<b>E</b>	<b>F</b>	<b>R</b>	<b>L</b>	<b>Rd x s</b>
		<b>Type</b>	<b>Max Torque Nm</b>	<b>Flange ISO</b>	<b>Switch On-Off</b>	<b>Switch Positioner</b>	<b>24V DC</b>	<b>Operating Time, 90°</b>	<b>85-240VAC 50 - 60 HZ</b>	<b>1x220-23 VAC 50 - 60 HZ</b>	<b>Power kW</b>
		AQ3L	30	F03/F04/F05	✓	✓	✓	15	✓	×	0,02
		AQ7L	70	F05/F07	✓	✓	✓	15	✓	×	0,02
		AQ15	150	F05/F07	✓	✓	✓	30 / <b>25</b>	×	✓	0,03

Control box Steuerkopf	<b>44710-C3</b>	<b>Dimensions • Baumaße</b>										
		<b>DN</b>	<b>A</b>	<b>B</b>	<b>C</b>	<b>D</b>	<b>E</b>	<b>F</b>	<b>R</b>	<b>L</b>	<b>Rd x s</b>	<b>kg</b>
		<b>TYPES: 44710 C3A EKO - air manifold GOM + 2x micro switch, LED</b> <b>44710 C3B STANDARD - air manifold GOM + 2x proximity sensor, LED</b> <b>44710 C3C MAX - air manifold 1.4301 + 2x proximity sensor, LED</b>										
		<b>POSITION SENSING: micro switch: 12 - 30 V</b> <b>proximity sensor: 12 - 30 V</b>										
		<b>SOLENOID VALVE: 24 V DC</b>										
		<b>LED LIGHTING: 3W (red and green)</b>										
	<b>AIR CONNECTION: for compressed air hose 6/4</b>											
	<b>TEMPERATURE OF ENVIRONMENT: -15°C to +60°C</b>											

Digital electropneumatic positioner Elektropneumatischer Stellungsregler	<b>44800</b>	<b>Dimensions • Baumaße</b>										
		<b>DN</b>	<b>A</b>	<b>B</b>	<b>C</b>	<b>E</b>	<b>F</b>	<b>F</b>	<b>R</b>	<b>L</b>	<b>Rd x s</b>	<b>kg</b>
		<b>Material Body Seal</b>		Aluminium plastic-coated EGDM, NBR, FKM								
		<b>Operating voltages</b>		24 VDC +/- 10%								
		<b>Residual ripple</b>		max. 10%								
		<b>Setpoint setting</b>		0/4 to 20 mA and 0 to 5/10 V								
		<b>Input resistance</b>		0/4 to 20 mA: 180 Ω 0 to 5/10 mA: 19 kΩ								
		<b>Analogue feedback</b>		4 - 20 mA, 0 - 20 mA 0 - 10 V, 0 - 5 V								
		<b>Binary input</b>		galvanically isolated, 0 - 5 V = log "0", 10 - 30 V = log "1"								
		<b>Binary output Current limit</b>		2 Outputs (optional), galvanically separated 100 mA, Output will be synchronised when overloaded								
		<b>Control medium</b>		Neutral gases, air DIN ISO 8573-1								
		<b>Dust concentration</b>		Class 5 (< 40 µm particle size)								
		<b>Particulate density</b>		Class 5 (< 10 mg/m <sup>3</sup> )								
		<b>Pressure condensation point</b>		Class 3 (< -20°C)								
		<b>Oil concentration</b>		Class 5 (< 25 mg/m <sup>3</sup> )								
		<b>Ambient temperature</b>		0 to +6°C								
		<b>Gilot air ports</b>		Threaded ports G 1/4								
	<b>Supply pressure</b>		1,4 to 7 bar <sup>1)</sup>									
	<b>Air supply filter</b>		Exchangeable (aperture size ~ 0,1 mm)									
	<b>Actuator system Air capacity</b>		single and double-acting to 150 l <sub>v</sub> /min. 95 l <sub>v</sub> /min. (with 1,4 bar <sup>2)</sup> ) for aeration and ventilation 150 l <sub>v</sub> /min (with 6 bar <sup>2)</sup> ) for aeration and ventilation Q <sub>Nn</sub> = 100 l <sub>v</sub> /min (acc. to the definition with decrease in pressure from 7 to 6 bar absolute)									
	<b>Position detection module</b>		Gotentiometer, max. angle 1800									
	<b>Stroke range valve spindle</b>		min. 30° on the rotary shaft, depending on lever									
	<b>Installation</b>		as required, display above or sideways									
	<b>Type of protection</b>		IG 65/67 acc. to EN 60529 (NEMA4x in preparation)									
	<b>Power consumption</b>		< 5 W									
	<b>Electrical connection</b>											
	<b>Multipole connection</b>		M12, 8-pin/4-pin; M8, 4-pin									
	<b>Cable gland</b>		2x M 20 x 1,5 (cable Ø 10 mm) on screw terminals (0,14 - 1,5 mm <sup>2</sup> )									
	<b>Remote version</b>		1x M 12 x 1,5 (cable Ø 3 to 6,5 mm)									
	<b>Bus communication</b>		Grofi bus DGV1 (optional)									
	<b>Inductive proximity switch</b>		on request									
	<b>Protection class</b>		3 acc. to VDE 0580									
	<b>Type of ignition protection</b>		II 3 G nA II B T4 (in preparation) II 3 D TD A22 T135° (in preparation)									
	<b>Conformity</b>		EMV2004/108/EG									
	<b>Approvals</b>		CSA (in preparation)									
		<ul style="list-style-type: none"> <li>o Compact metal housing</li> <li>o Graphic display with backlight</li> <li>o Easy start-up</li> <li>o Comprehensive range of additional software functions</li> <li>o Grofi bus DGV 1 (optional)</li> <li>o Assembly acc. to IEC 534-6 / VDI VDE 3845</li> </ul>										

The robust and compact positioner is designed to standardisation acc. to IEC 534-6 or VDI/VDE 3845 for assembly with linear and rotary actuators. In addition, the remote version with the displacement position sensor can be combined with Bürkert process control valves. The digital electropneumatic positioner SideControl can be operated with the usual current and voltage standard signals and can also be equipped with the fieldbus interface GROBUS DGV1. Additionally to the digital graphic display the valve opening is signaled by a mechanical indicator element.

Operation occurs via the external operation and display module. It consists of a backlit graphical display and a robust transparency keyboard with four keys with software driven function indication. For the user operation is very simple and clear, identical to the Bürkert positioner or process controller TopControl, Type 8692/8693.

The pilot valve system can be used equally for single and double-acting drives. It is characterised by a defined safety feature in case of failure of the electrical or pneumatic power supply and possesses an enormous air capacity range with pressure supply up to 7 bar.

<sup>1)</sup> The supply pressure has to be 0,5 - 1 bar above the minimum required pilot pressure for the valve actuator

<sup>2)</sup> Pressure specifications: Overpressure with respect to atmospheric pressure

Digital electropneumatic positioner  
Elektropneumatischer Stellungsregler

**44801**

**Dimensions • Baumaße**

The compact positioner Type 8692 is optimized for integrated mounting on the pneumatic actuators in the process valve series Type 23xx/2103 and is specially designed for the requirements of a hygienic process environment. The control air channel is integrated in the actuator without external tubings. The easy handling and the selection of additional software functions are done either on a big graphic display with backlight and keypad or over COMMUNICATOR.



The positioner registers the valve position without deterioration through a contact-free, analog position sensor. The control of single or double-acting actuators is done without internal air consumption. With integrated diagnostic functions operation conditions of the control valve can be monitored. Through status signals, valve diagnostic messages are transmitted according to NAMUR NE107 and recorded as history entries.

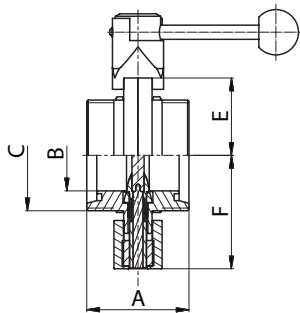
The housing is easy to clean and features proven IP protection and chemically resistant materials for use in hygienic processing, in food, beverage and pharmaceutical industries. Combined with Bürkert ELEMENT actuators the unique pilot valve system enables a compressed air recycling that avoids actuator chambers contamination from the environment.

Technical data	
<b>Material</b>	Body PPS, stainless steel Cover PC Sealing EPDM
<b>Power supply</b>	24 V DC ± 10 % UL: NEC Class 2
<b>Residual ripple</b>	max. 10 %
<b>Setpoint setting</b>	0/4 to 20 mA and 0 to 5/10 V
<b>Output resistance</b>	0/4 to 20 mA: 180 Ω 0 to 5/10 V: 19 k Ω
<b>Control medium</b>	neutral gases, air, quality classes acc. to ISO 8573-1 Dust concentration Class 7 (<40 µm particle size) Particle density Class 5 (<10 mg/m³) Pressure condensation point Class 3 (<-20 °C) Oil concentration Class X (<25 mg/m³)
<b>Ambient temperature</b>	-10 to + 55 °C
<b>Pilot air ports</b>	Threaded ports G <sup>1</sup> / <sub>8</sub> stainless steel or
<b>Supply pressure</b>	Low air flow rate 0 to 7 bar <sup>1)</sup> High air flow rate 3 to 7 bar
<b>Air input filter</b>	Exchangeable (mesh aperture~0.1 mm)
<b>Actuator system</b>	Actuator series Type 23xx Low air flow rate : Ø Actuator 70/90 mm High air flow rate: Ø Actuator 130 mm Actuator series Type 27xx High air flow rate: Ø Actuator 175/225 mm
<b>Position detection module</b>	Contact-free, wear-free
<b>Stroke range valve spindle</b>	3 to 45 mm
<b>Installation</b>	as required, preferably with actuator in upright position
<b>Protection type</b>	IP65/IP67 acc. to EN 60529, Type 4X acc. to NEMA 250 standard
<b>Protection class</b>	3 acc. to DIN EN 61140
<b>Power consumption</b>	< 5 W
<b>Electrical connection</b>	Multipole connection M12, 8-pins or 4-pins Cable gland 2xM16 × 1.5 (cable-Ø 5–10 mm) with connection terminals for cable cross-sections 0.14–1.5 mm <sup>2</sup>
<b>Bus communication</b>	PROFIBUS DP-V1, DeviceNet, EtherNet/IP, PROFINET, Modbus TCP, bÜS - Bürkert System Bus (based on CANopen)

Leakage butterfly valves G - G  
Leckage Scheibenventil G - G

**45613**

**Dimensions • Baumaße**

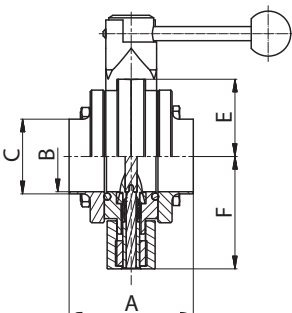


DN	A	B	C	E	F	G	Rd x s	kg
			<b>DIN 405</b>					
25	64	26	52x1/6"	43,5	65			
32	64	32	58x1/6"	46	68			
40	72	38	65x1/6"	48,5	71			
50	72	50	78x1/6"	55	80			
65	76	66	95x1/6"	63,5	89			
80	100	81	110x1/4"	71	99			
100	104	100	130x1/4"	81	109			

Leakage butterfly valve with compact flange  
Zwischenflansche Leckage Scheibenventil

**45618**

**Dimensions • Baumaße**



DN	A	B	C	E	F	G	Rd x s	kg
40	88	38	43	48,5	71			
50	88	50	53	55	80			
65	88	66	72	63,5	89			